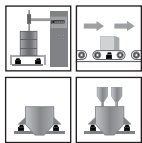
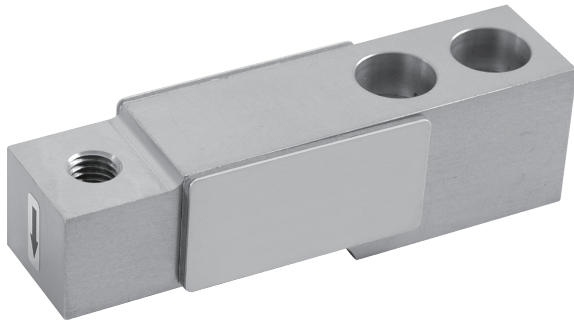
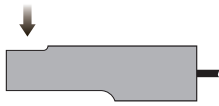


Single Ended Shear Beam



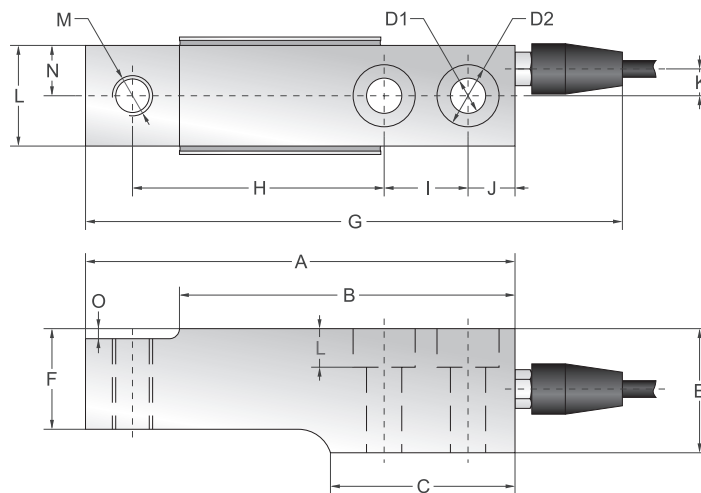
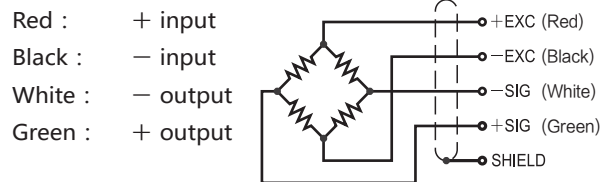
Capacities

50kg, 100kg, 150kg, 200kg, 250kg, 300kg, 500kg, 600kg, 750kg, 1000kg

Features

- Single ended shear beam load cell
- Aluminum construction
- High accuracy
- High stability
- Easy to install
- Suitable for hopper scales, tank & bin weighing, belt scales, etc.

Schematic



Capacities		A	B	C	E	F	G	H	I	J	K	L	N	O	D1	D2	M
50kg~300kg	mm	128	100	55	37	30	160	75	25	14	8	30	15	3	2×Ø10.5	2×Ø18.5	M12
500kg~1000kg	mm	128	100	55	37	32	160	75	25	14	8	30	15	3	2×Ø10.5	2×Ø18.5	M12

Specifications			
Rated Output	2.0mV/V±1%	Safe Temp. Range	-10°C to + 70°C
Zero Balance	±3% of rated output	Temp. Compensated	-10°C to + 40°C
Creep after 30 minutes	±0.03% of rated output	Safe Overload	150%
Nonlinearity	±0.03% of rated output	Input Impedance	410 ohm ± 20 ohm
Hysteresis	±0.03% of rated output	Output Impedance	350 ohm ± 5 ohm
Repeatability	±0.03% of rated output	Insulation Resistance	≥5000 M ohm (50V DC)
Temp. effect on output	≤0.002% of applied output/°C	Rated Excitation	10V DC/AC
Temp. effect on zero	≤0.002% of rated output/°C	Maximum Excitation	15V DC/AC
Wire Length	275cm	Wire Material	Red(+E) Black(-E) White(-S) Green(+S)