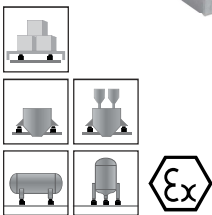
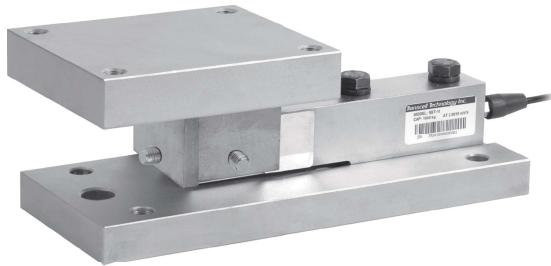
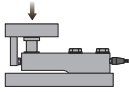


Weighing Mount

Weighing Mount



Capacities

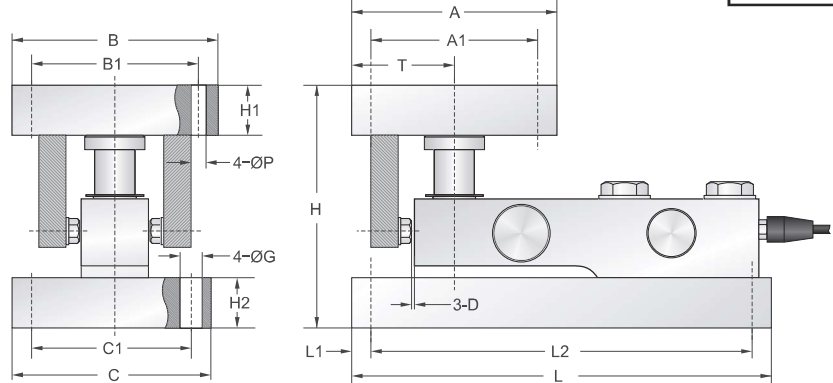
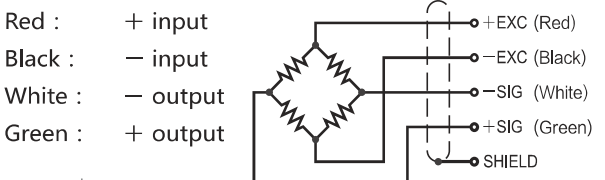
SBT - 500kg, 1000kg, 2000kg, 3000kg, 5000kg

SB - 10000kg, 15000kg, 20000kg

Features

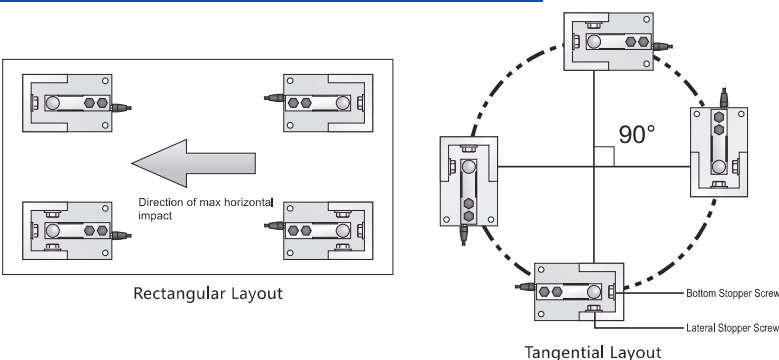
- Alloy steel construction throughout
- Protected against corrosion by nickel-plated treatment
- Dynamic loading module
- SB/SBT (single ended shear beam load cell) installed
- Equipped with adjustable level position-control bolt
- Suitable for floor scales, blending & mixing systems, batching systems, roller conveyer scale and process control, etc.

Schematic



Capacities		L	L1	L2	A	A1	B	B1	C	C1	H	H1	H2	T	P	G	D
0,5t-3t	mm	286	32	226	150	124	128	102	112	80	106.9	28	23	96	11	13	1.6
5t	mm	317.5	32	257	178	146	152	120	152	102	146.2	38	30	99	17.5	17	1.6
10t	mm	360	32	295	184	152	154	122	154	106	215.7	45	45	105	22	21	3
15t/20t	mm	400	25	350	220	170	220	170	220	170	255.7	55	55	115	26	26	3

Installation



! Note : when only 2 modules are bearing impact, they should be at the same side of the scale.