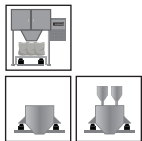


Single Ended Shear Beam



Capacities

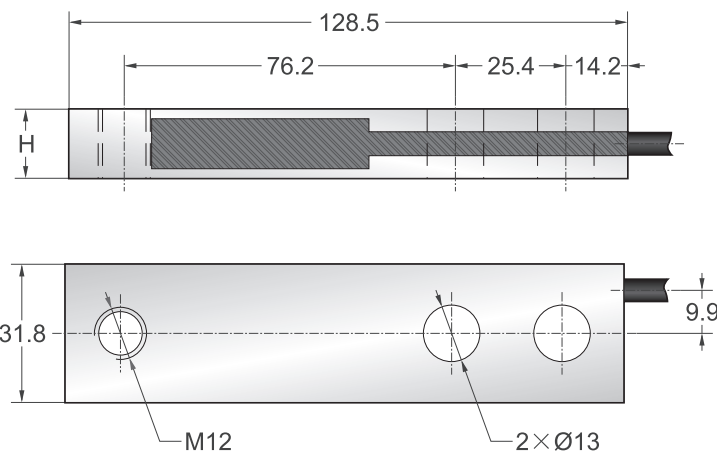
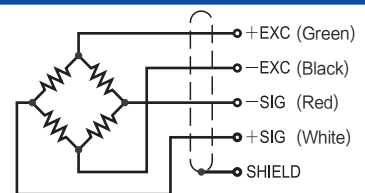
200kg, 500kg, 1000kg, 2000kg

Features

- Single ended shear beam load cell
- Stainless steel construction
- High accuracy
- High stability
- Easy to install
- High input resistance
- Suitable for packaging systems and batching systems, etc.

Schematic

- Green: + input
- Black: - input
- Red: - output
- White: + output



| Capacities | | H |
|------------|----|------|
| 200kg | mm | 12.7 |
| 500kg | mm | 15.9 |
| 1000kg | mm | 19.1 |
| 2000kg | mm | 25.4 |

| Specifications | | | |
|------------------------|---|-----------------------|----------------------|
| Rated Output | 2.0mV/V±0.1% | Safe Temp. Range | -10°C to + 70°C |
| Zero Balance | ±1% of rated output | Temp. Compensated | -10°C to + 40°C |
| Creep after 30 minutes | ±0.03% of rated output | Safe Overload | 150% |
| Nonlinearity | ±0.03% of rated output | Ultimate Overload | 300% |
| Hysteresis | ±0.02% of rated output | Input Impedance | 1100 ohm ± 20 ohm |
| Repeatability | ±0.02% of rated output | Output Impedance | 1090 ohm ± 5 ohm |
| Temp. effect on output | ≤0.002% of applied output/°C | Insulation Resistance | ≥5000 M ohm (50V DC) |
| Temp. effect on zero | ≤0.002% of rated output/°C | Rated Excitation | 10V DC/AC |
| Wire Length | 3m | Maximum Excitation | 15V DC/AC |
| Wire Material | Red(+ E) Black(- E) White(- S) Green(+ S) | | |