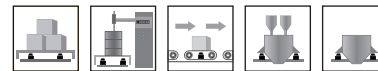
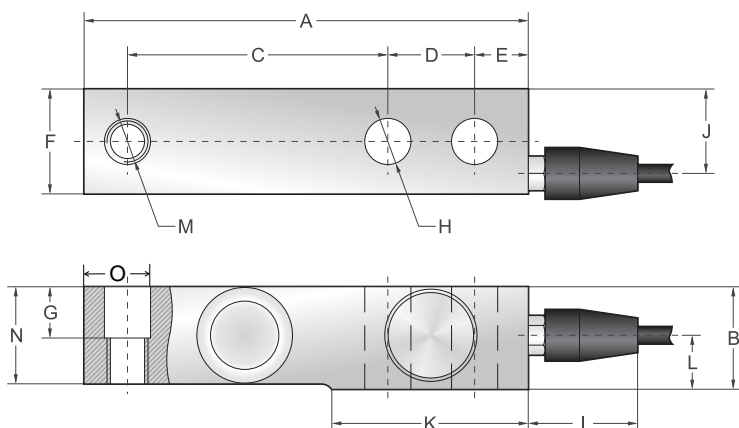


## Single Ended Shear Beam



Single Ended Shear Beam

### Capacities

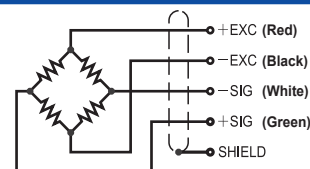
- Imperial:**  
250lb, 1000lb, 2500lb, 4000lb, 5000lb, 5000lb, 10000lb
- Metric:**  
250kg, 500kg, 1000kg, 1500kg, 2000kg, 2500kg, 5000kg

### Features

- Single ended shear beam load cell
- Stainless steel construction
- Welded Gage Cavity
- High accuracy
- High stability
- Rated up to IP68
- Anti-explosion (option)
- Easy to install
- Suitable for floor scales, blending & mixing systems, belt scales and batching systems, etc.

### Schematic

- Red:** + input
- Black:** - input
- White:** - output
- Green:** + output



Capacities	U/M	A	B	C	D	E	F	G	H	I	J	K	L	M	N	O
250 lb - 5000 lb	in	5.12	1.18	3	1	0.62	1.21	0.59	2×Ø0.53	1.26	0.97	2.26	0.62	1/2"-20 UNF	1.12	Ø0.53
250 kg - 2500 kg	mm	130	30	76.2	25.4	15.7	30.7	15	2×Ø13.5	32	24.7	57.5	15.8	M12×1.75	28.4	Ø13.5
10000 lb	in	6.75	1.44	3.75	1.5	0.75	1.44	0.69	2×Ø0.78	1.26	1.13	3.0	0.74	3/4"-16 UNF	1.34	Ø0.78
2500 kg - 5000 kg	mm	171.5	36.5	95.3	38.1	19.1	36.5	17.5	2×Ø19.8	32	28.7	76.2	19.5	M18×1.5	34	Ø19.8

Specifications			
Rated Output	2.0mV/V±0.1% / 3.0mV/V±0.1%	Safe Temp. Range	-10 °C to + 70 °C
Zero Balance	±1% of rated output	Temp. Compensated	-10 °C to + 40 °C
Creep after 30 minutes	±0.03% of rated output	Safe Overload	150%
Nonlinearity	±0.03% of rated output	Input Impedance	387 ohm ± 20 ohm
Hysteresis	±0.03% of rated output	Output Impedance	350 ohm ± 5 ohm
Repeatability	±0.03% of rated output	Insulation Resistance	≥5000 M ohm (50V DC)
Temp. effect on output	≤0.002% of applied output /°C	Rated Excitation	10V DC/AC
Temp. effect on zero	≤0.002% of rated output /°C	Maximum Excitation	15V DC/AC
Wire Length	6m (19.7 feet)	Wire Color Code	Red(+E) Black(-E) White (-S) Green (+S)