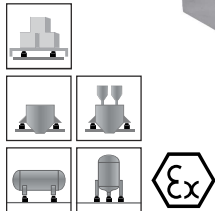
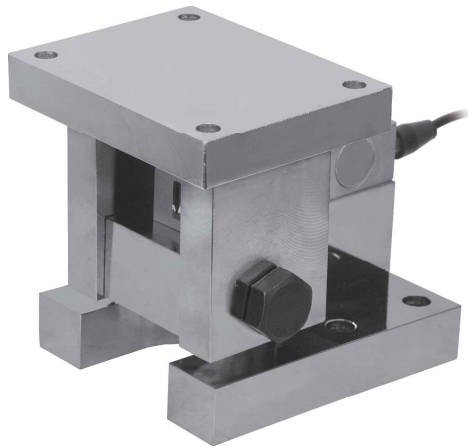
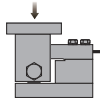


Weighing Mount



Capacities

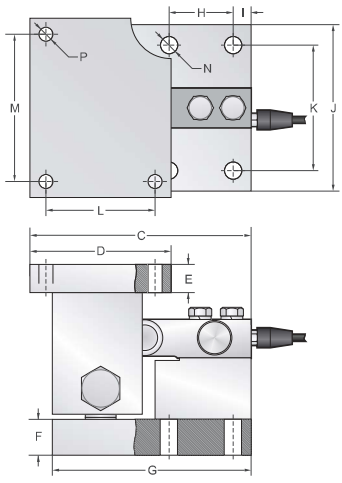
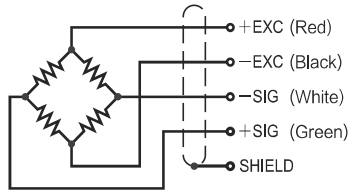
250lb, 250kg, 500kg, 1000kg, 1500kg, 2000kg, 2500kg
5000kg

Features

- Stainless steel construction
- Mounts to structural support directly
- Easy to Install, Stable, Reliable & safety limit
- Anti-explosion load cell (option)
- SBSB (single ended shear beam stainless steel load cell) installed
- Fit for reactor, floor scales, blending & mixing systems and batching systems, etc

Schematic

Red : + input
Black : - input
White : - output
Green : + output



Capacities		A	B	C	D	E	F	G	H	I	J	K	L	M	N	P
250lb	mm	140	147.2	172.3	110	22	28	155	50	14	130	97.5	85	115	4xØ13.5	4xØ11
250kg~2.5ts	mm	140	147.2	172.3	110	22	28	155	50	14	130	97.5	85	115	4xØ13.5	4xØ11
5t	mm	154	191	234	164	28	38	200	71	19	154	114	114	124	4xØ19	4xØ19

Specifications

Rated Output	2.0mV/V ±0.1%/3.0mV/V ±0.1%	Safe Temp. Range	-10°C to + 70°C
Zero Balance	±1% of rated output	Temp. Compensated	-10°C to + 40°C
Creep after 30 minutes	±0.03% of rated output	Safe Overload	150%
Nonlinearity	±0.03% of rated output	Input Impedance	387 ohm ± 20 ohm
Hysteresis	±0.03% of rated output	Output Impedance	350 ohm ± 5 ohm
Repeatability	±0.03% of rated output	Insulation Resistance	≥5000 M ohm (50V DC)
Temp. effect on output	≤0.002% of applied output/°C	Rated Excitation	10V DC/AC
Temp. effect on zero	≤0.002% of rated output/°C	Maximum Excitation	15V DC/AC
Wire Length	6m	Wire Material	Red(+ E) Black(-E) White(-S) Green(+ S)