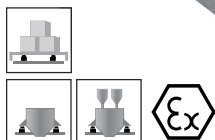
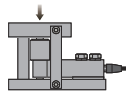


SBS/SBSB Mount

Weighing Mount



Capacities

SBS - 250lb, 250kg, 500kg, 1t, 1.5t, 2t, 2.5t, 5t, 7.5ts

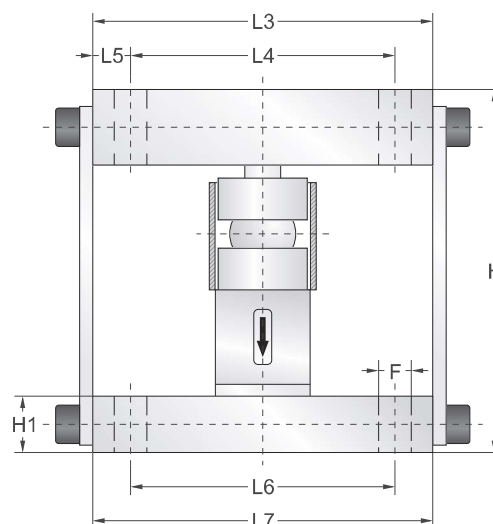
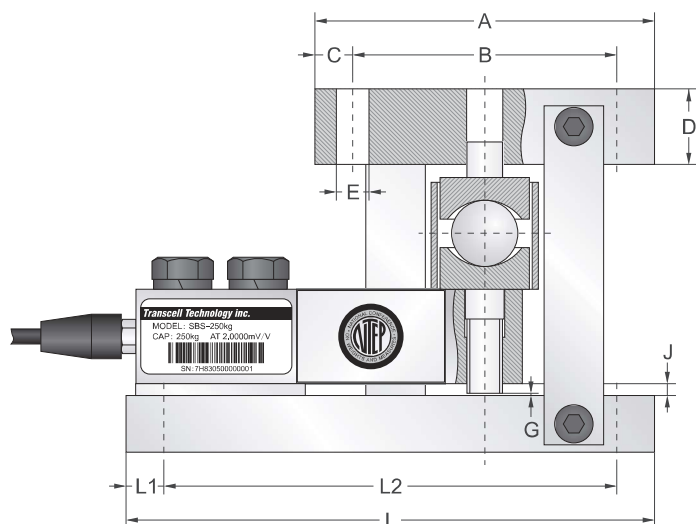
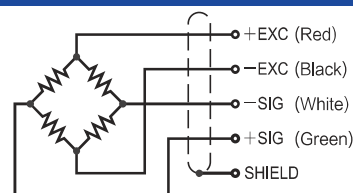
SBSB - 250lb, 250kg, 500kg, 1t, 1.5t, 2t, 2.5t, 5t, 7.5ts

Features

- Alloy steel construction throughout
- SBS/SBSB (single ended shear beam load cell) installed
- Suitable for floor scales, blending & mixing systems, belt scales and batching systems, etc.

Schematic

- Red : + input
- Black : - input
- White : - output
- Green : + output



Capacities		A	B	C	D	E	F	G	H	H1	J	L	L1	L2	L3	L4	L5	L6	L7
250lb/250kg~2.5ts	mm	114.3	88.9	12.7	25.4	4xØ11	4xØ11	0.2~0.3	122.2	19	4	177.8	12.7	152.4	114.3	88.9	12.7	88.9	114.3
2.5t~7.5ts	mm	150	124	13	28	4-M12	4xØ13	0.2~0.3	139.4	22.8	4	263.3	28	175.7	112	86	13	80	112

Specifications

Rated Output	2.0~3.0mV/V ±0.1%	Safe Temp. Range	-10°C to + 70°C
Zero Balance	±1% of rated output	Temp. Compensated	-10°C to + 40°C
Creep after 30 minutes	±0.03% of rated output	Safe Overload	150%
Nonlinearity	±0.03% of rated output	Input Impedance	387 ohm ± 20 ohm
Hysteresis	±0.03% of rated output	Output Impedance	350 ohm ± 5 ohm
Repeatability	±0.03% of rated output	Insulation Resistance	≥5000 M ohm (50V DC)
Temp. effect on output	≤0.002% of applied output/°C	Rated Excitation	10V DC/AC
Temp. effect on zero	≤0.002% of rated output/°C	Maximum Excitation	15V DC/AC
Wire Length	6m	Wire Material	Red(+ E) Black(-E) White(-S) Green(+ S)