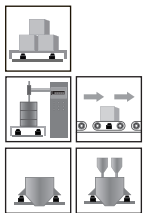


Single Ended Shear Beam



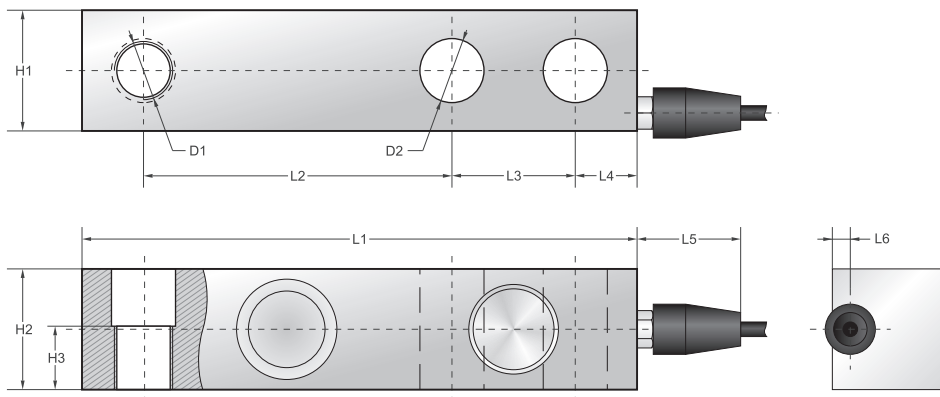
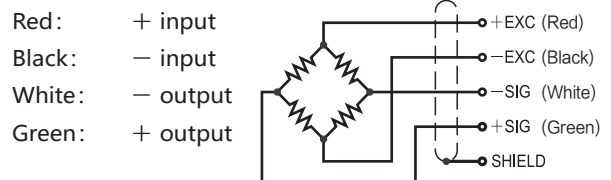
Capacities

500kg, 750kg, 1000kg, 1500kg, 2000kg, 2500kg, 5000kg

Features

- Single ended shear beam load cell
- Stainless steel construction
- Welded Gage Cavity
- High accuracy
- High stability
- Easy to install
- Suitable for floor scales, blending & mixing systems, belt scales and batching systems, etc.

Schematic



Capacities		L1	L2	L3	L4	L5	L6	H1	H2	H3	D1	D2
500kg-2.5ts	mm	130	76.2	25.4	15.75	32	5.7	31	31	15.5	3×Ø13.5	M12×1.75
2.5t-5tss	mm	171.5	95.3	38.1	19.1	32	5.55	37.3	37.3	19.6	3×Ø19.8	M18×1.5

Specifications

Rated Output	2.0mV/V±0.1% / 3.0mV/V±0.1%	Safe Temp. Range	-10°C to + 70°C
Zero Balance	±1% of rated output	Temp. Compensated	-10°C to + 40°C
Creep after 30 minutes	±0.03% of rated output	Safe Overload	150%
Nonlinearity	±0.03% of rated output	Input Impedance	387 ohm ± 20 ohm
Hysteresis	±0.03% of rated output	Output Impedance	350 ohm ± 5 ohm
Repeatability	±0.03% of rated output	Insulation Resistance	≥5000 M ohm (50V DC)
Temp. effect on output	≤0.002% of applied output/°C	Rated Excitation	10V DC/AC
Temp. effect on zero	≤0.002% of rated output/°C	Maximum Excitation	15V DC/AC
Wire Length	6m	Wire Material	Red(+E) Black(-E) White(-S) Green(+S)