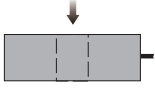


Pancake Type



Capacities

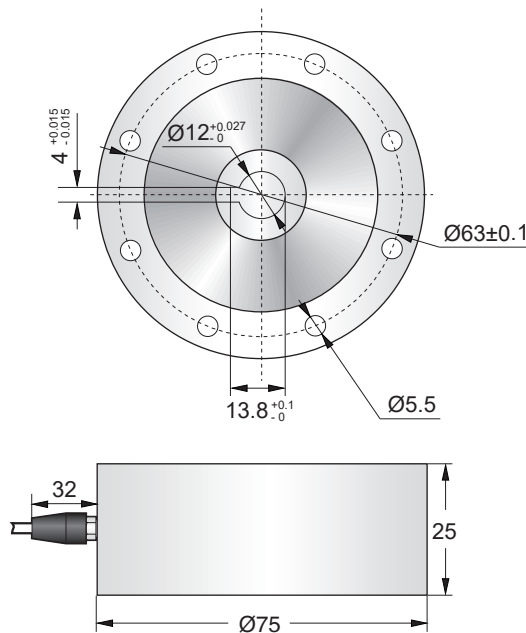
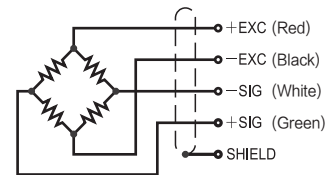
200kg, 300kg, 500kg

Features

- Pancake type load cell
- High accuracy
- Aluminum construction
- High stability
- Easy to install
- Suitable for testing machine

Schematic

- Red: + input
- Black: - input
- White: - output
- Green: + output



Specification			
Rated Output	2.0mV/V ±10%	Safe Temp. Range	-20°C to + 60°C
Zero Balance	±1% of rated output	Temp. Compensated	-10°C to + 40°C
Creep after 30 minutes	±0.05% of rated output	Safe Overload	150%
Nonlinearity	±0.1% of rated output	Input Impedance	350 ohm ± 15 ohm *1
Hysteresis	±0.1% of rated output	Output Impedance	350 ohm ± 15 ohm *1
Repeatability	±0.05% of rated output	Insulation Resistance	≥5000 M ohm (50V DC)
Temp. effect on output	≤0.0015% of applied output/°C	Rated Excitation	10V DC/AC
Temp. effect on zero	≤0.0026% of rated output/°C	Maximum Excitation	15V DC/AC
Wire Length	3m	Wire Material	TPR cable
Wire Specification	24AWG	Wire Type	Shielding net four core

Note: *1 100kg, 200kg 1050±20Ω