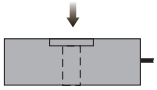


## Pancake Type



### Capacities

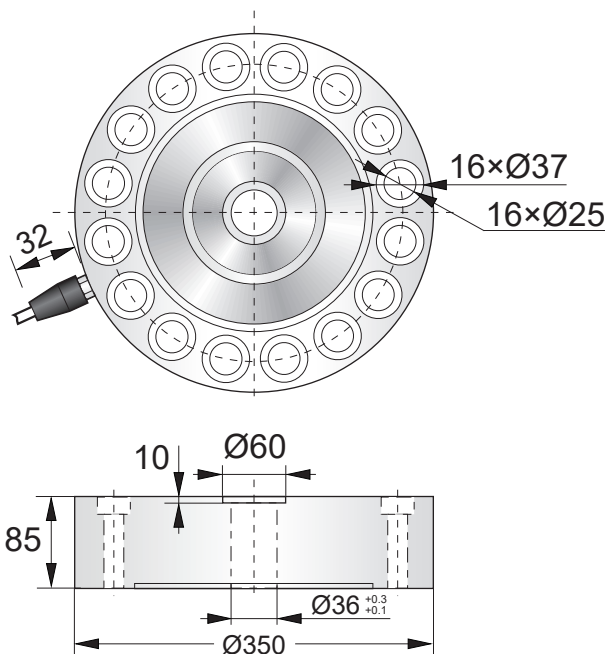
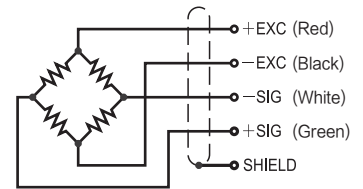
200t

### Features

- Pancake type load cell
- Alloy steel construction
- High accuracy
- High stability
- Easy to install
- Protected against corrosion by nickel-plated treatment
- Suitable for testing machine

### Schematic

Red: + input  
 Black: - input  
 White: - output  
 Green: + output



### Specifications

Rated Output	2.0mV/V ±5%	Safe Temp. Range	-20°C to + 60°C
Zero Balance	±3% of rated output	Temp. Compensated	-10°C to + 40°C
Creep after 30 minutes	±0.03% of rated output	Safe Overload	150%
Nonlinearity	±0.1% of rated output	Input Impedance	410 ohm ± 10 ohm
Hysteresis	±0.1% of rated output	Output Impedance	350 ohm ± 3 ohm
Repeatability	±0.02% of rated output	Insulation Resistance	≥5000 M ohm (50V DC)
Temp. effect on output	≤0.0015% of applied output/°C	Rated Excitation	10V DC/AC
Temp. effect on zero	≤0.0026% of rated output/°C	Maximum Excitation	15V DC/AC
Wire Length	3m	Wire Material	TPR cable
Wire Specification	24AWG	Wire Type	Shielding net four core