

High Accuracy Force Sensor



Capacities

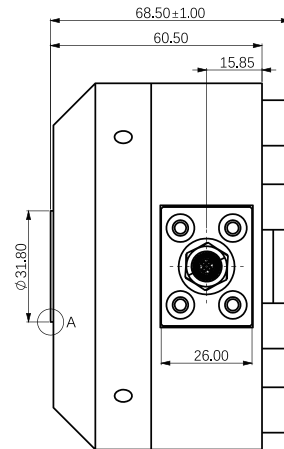
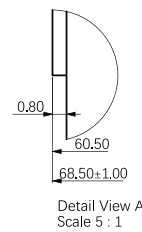
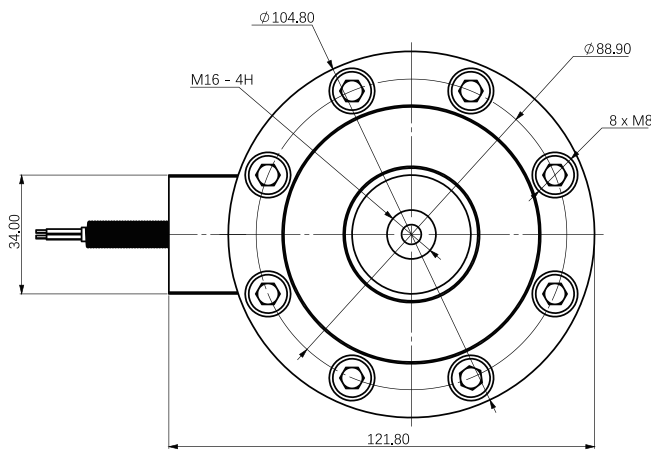
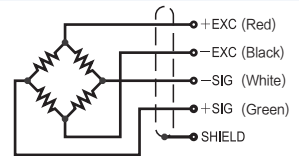
5 kN, 10 kN, 20 kN, 30 kN

Features

- Pancake type
- Nickel plated alloy steel
- High accuracy
- High stability
- High natural frequency (10, 20, 30 kN)
- IP67
- Easy to install
- Strong overload protection capability
- Suitable for force measure applications
- Could be used both tension & compression

Schematic

Red: + input
 Black: - input
 White: - output
 Green: + output



Specifications

Rated output	2.0 mV/V	Temp range,safe	-40°C to +70°C
Rated output tolerance	±0.2 mV/V	Temp range,compensated	-10°C to +40°C
Zero balance	-0.06~0.06 mV/V	Max.safe overload	150% of rated capacity
Creep	±0.02% of load	Input impedance	1540 ohm ± 35 ohm
Linearity	±0.02% of R.O	Output impedance	1400 ohm ± 5 ohm
Hysteresis	±0.02% of R.O	Insulation resistance	≥5G Ohms (50V DV)
Repeatability	±0.02% of R.O	Cable material	TPR
Temp comp on Span	0.002% of applied output/°C	Cable structure	Braid shield
Temp comp on Zero	0.002% of rated output/°C	Cable color code	Red(+E) Black(-E) Green(+S) White(-S)
Cable length	5 m	Natural Frequency	2700 Hz(5 kN), 4000 Hz(10 kN), 5000 Hz(20 kN), 6300 Hz(30 kN)
Cable spec	4X24 AWG		