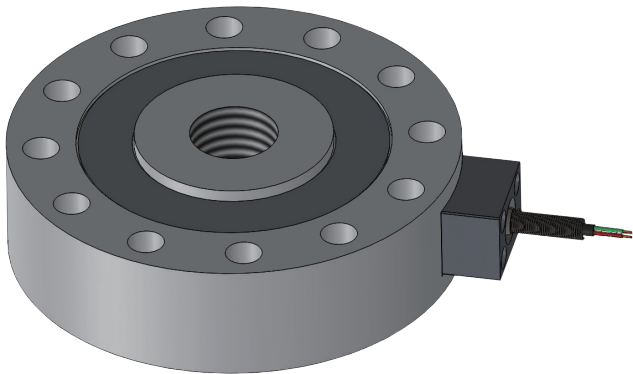


High Accuracy Force Sensor



Capacities

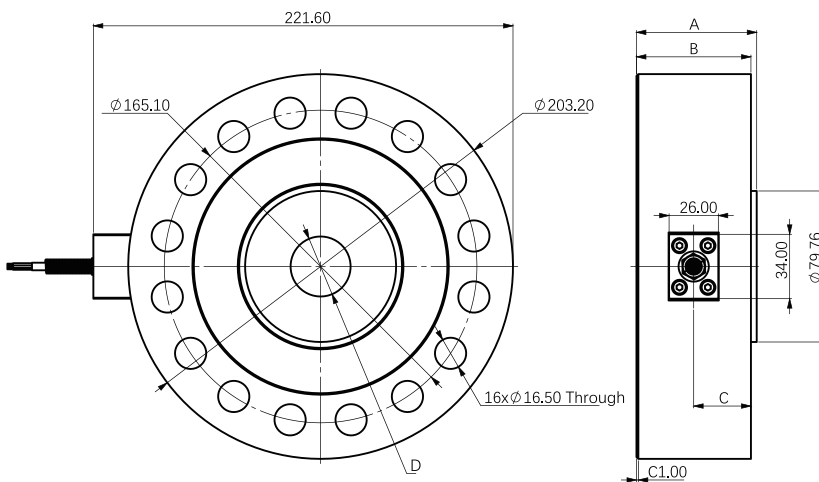
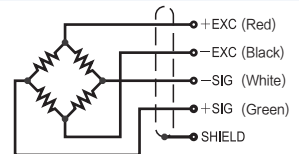
200 kN, 300 kN

Features

- Pancake type
- Nickel plated alloy steel
- High accuracy
- High stability
- High natural frequency
- IP67
- Easy to install
- Strong overload protection capability
- Suitable for force measure applications
- Could be used both tension & compression with base assembled

Schematic

Red: + input
 Black: - input
 White: - output
 Green: + output



Capacities		A	B	C	D
200 kN	mm	63.50	60.45	30.23	M33x2.0
300 kN	mm	60.25	57.20	28.60	M42x2.0

Specifications			
Rated output	2.0 mV/V	Temp range,safe	-40°C to +70°C
Rated output tolerance	±0.2 mV/V	Temp range,compensated	-10°C to +40°C
Zero balance	-0.06~0.06 mV/V	Max.safe overload	150% of rated capacity
Creep	±0.02% of load	Input impedance	1540 ohm ± 35 ohm
Linearity*	±0.02% of R.O	Output impedance	1400 ohm ± 5 ohm
Hysteresis*	±0.02% of R.O	Insulation resistance	≥5G Ohms (50V DV)
Repeatability*	±0.02% of R.O	Cable material	TPR
Temp comp on Span	0.002% of applied output/°C	Cable structure	Braid shield
Temp comp on Zero	0.002% of rated output/°C	Cable color code	Red(+E) Black(-E) Green(+S) White(-S)
Cable length	5 m	Natural Frequency	4500 Hz
	4X24 AWG		

*Recommend to use the original deigned base to get the performance.