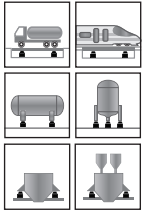
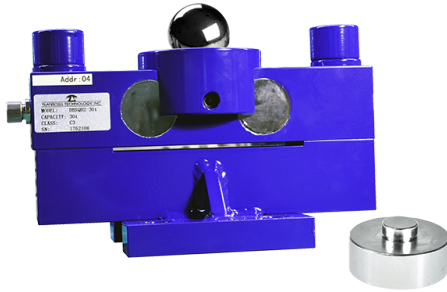
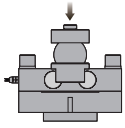


Digital bridge

Digital bridge



Capacities

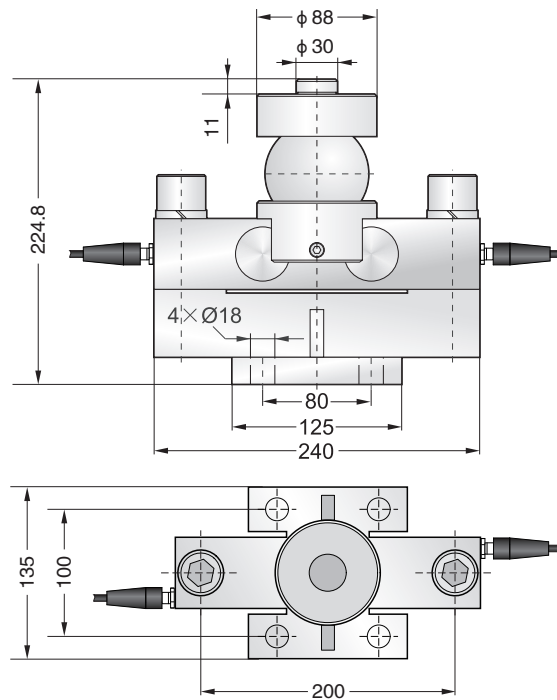
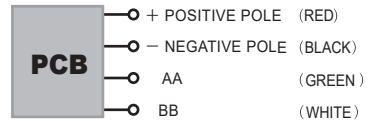
10t, 20t, 30t, 50t

Features

- Digital bridge load cell
- Alloy steel construction
- High accuracy
- High stability
- Easy to install
- Protected against corrosion by coated treatment
- Suitable for truck scales, rail scales, bin and hopper scales, etc.

Schematic

Red: + positive pole
 Black: - negative pole
 Green: AA
 White: BB



Specifications			
Rated Output	60000 counts	Safe Temp. Range	-10°C to + 70°C
Creep after 30 minutes	±0.02% of rated output	Temp. Compensated	-10°C to + 40°C
Nonlinearity	±0.03% of rated output	Safe Overload	150%
Hysteresis	±0.03% of rated output	Excitation Range	6-12V DC
Repeatability	±0.03% of rated output	Max Output Distance	100m
Temp. effect on output	≤0.002% of applied output/°C	Input Current	Max 40 mA
Temp. effect on zero	≤0.002% of rated output/°C	Communication Mode	RS 485 (transcell data format)
Wire Length	4m/7m/15m/30m	Baud Rate	57600 bps