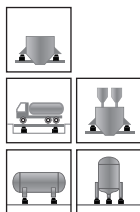
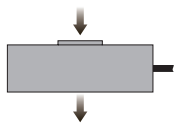


## Pancake Type



### Capacities

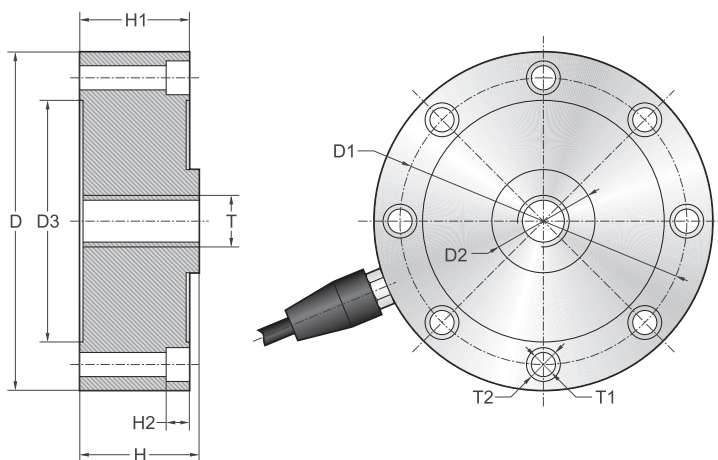
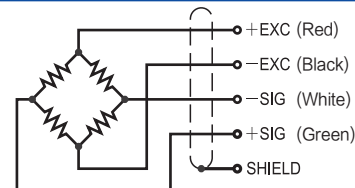
1t, 2t, 3t, 5t, 10t, 15t, 20t, 30t  
(Larger capacities are also provided)

### Features

- Pancake type load cell
- Alloy steel construction
- High accuracy
- High stability
- Low profile
- Easy to install
- Protected against corrosion by nickel-plated treatment
- Suitable for testing machine, truck scales and big bin & hopper scales, etc.

### Schematic

- Red : + input
- Black : - input
- White : - output
- Green : + output



Capacities		D	D1	D2	D3	H	H1	H2	T	T1	T2
1t~5t	mm	Ø105	Ø89	Ø32	75	37	34	7.2	M16X1.5	8XØ7.5	8XØ10.5
10t~20t	mm	Ø120.6	Ø101.8	Ø39	83	53.5	41	10.5	M32×1.5	8XØ8.5	8XØ14
30t	mm	Ø141	Ø116.8	Ø50.4	96.9	57.2	50.8	11	M40×1.5	8XØ11	8XØ18

### Specifications

Rated Output	3.0mV/V ±0.25%	Safe Temp. Range	-10°C to + 70°C
Zero Balance	±1% of rated output	Temp. Compensated	-10°C to + 40°C
Creep after 30 minutes	±0.03% of rated output	Safe Overload	150%
Nonlinearity	±0.03% of rated output	Input Impedance	775 ohm ± 20 ohm/387 ohm ± 20 ohm(≤20t)
Hysteresis	±0.03% of rated output	Output Impedance	700 ohm ± 5 ohm/350 ohm ± 5 ohm(≤20t)
Repeatability	±0.03% of rated output	Insulation Resistance	≥5000 M ohm (50V DC)
Temp. effect on output	≤0.002% of applied output/°C	Rated Excitation	10V DC/AC
Temp. effect on zero	≤0.002% of rated output/°C	Maximum Excitation	15V DC/AC
Wire Length	6m/10m	Wire Material	Red(+ E) Black(- E) White(- S) Green(+ S)