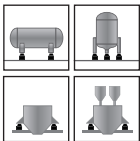
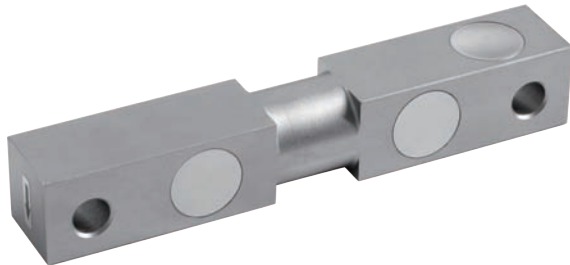
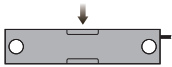


Double Ended Shear Beam



Capacities

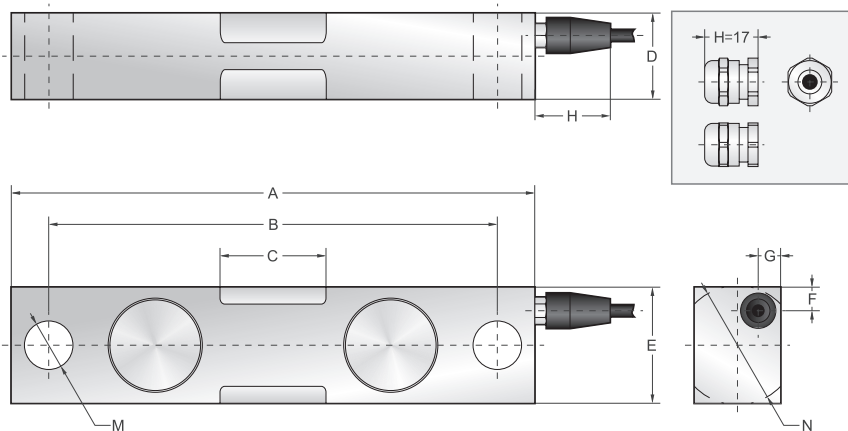
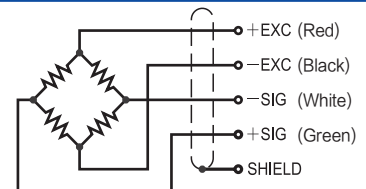
1klb, 1.5klb, 2klb, 2.5klb, 3klb, 5klb, 10klb, 15klb, 20klb, 25klb, 30klb, 50klb, 75klb

Features

- Double ended shear beam load cell
- Alloy steel construction
- High accuracy
- High stability
- Easy to install
- Protected against corrosion by nickel-plated treatment
- Suitable for warehouse & inventory scales and batching systems, etc.

Schematic

Red: + input
 Black: - input
 White: - output
 Green: + output



Capacities		A	B	C	D	E	F	G	H	M	N
1klb~5klb	mm	190.5	158.8	30.2	31	31	6.1	7.9	32	2×Ø12.7	Ø31.5
10klb~30klb	mm	222.25	190.5	45	36.6	49.3	10	9.5	32	2×Ø20.6	Ø50.6
50klb~75klb	mm	342.9	292.1	86	62	74.6	13.8	21	17*	2×Ø33.3	Ø75.7

Specifications

Rated Output	3.0mV/V±10%	Safe Temp. Range	-10°C to + 70°C
Zero Balance	±1% of rated output	Temp. Compensated	-10°C to + 40°C
Creep after 30 minutes	±0.03% of rated output	Safe Overload	150%
Nonlinearity	±0.03% of rated output	Input Impedance	775 ohm ± 20 ohm
Hysteresis	±0.03% of rated output	Output Impedance	700 ohm ± 5 ohm
Repeatability	±0.03% of rated output	Insulation Resistance	≥5000 M ohm (50V DC)
Temp. effect on output	≤0.002% of applied output/°C	Rated Excitation	10V DC/AC
Temp. effect on zero	≤0.002% of rated output/°C	Maximum Excitation	15V DC/AC
Wire Length	6m/10m/20m	Wire Material	Red(+ E) Black(- E) White(- S) Green(+ S)