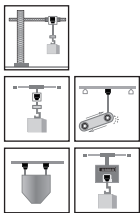
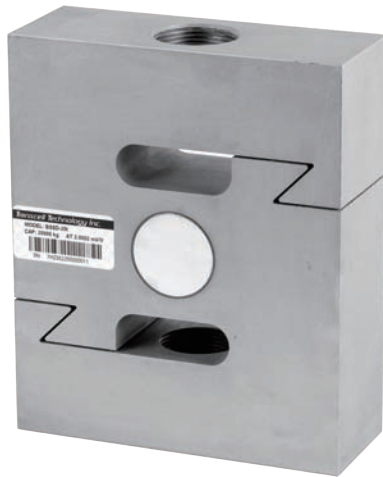
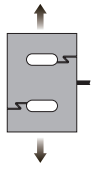


"S" Type



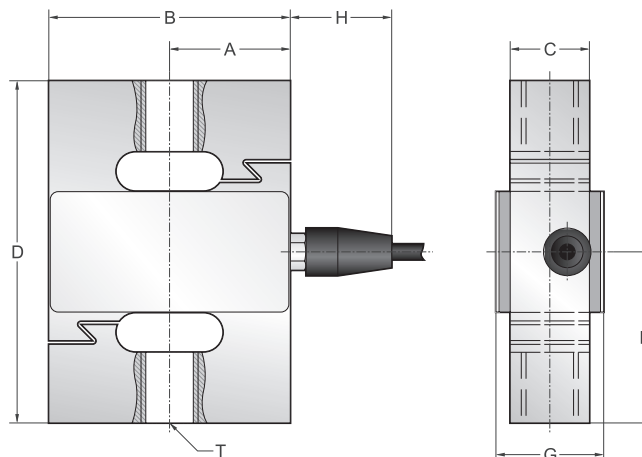
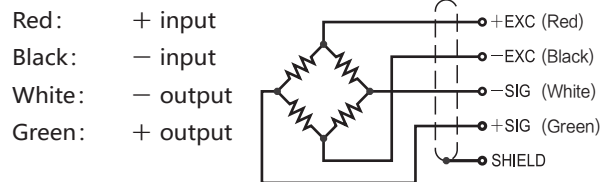
Capacities

5t, 15t, 20t

Features

- S-Type load cell
- Nickel-plated alloy steel construction
- Easy to install, stable & reliable
- Suitable for tension measurement, batching systems, and architecture machine, etc.

Schematic



Capacities		A	B	C	D	E	T	G	H
5t	mm	31.8	76.2	25	108	54	M18X1.5	34	32
15t-20t	mm	80	160	60	190	95	M39x2	60	32

Specifications			
Rated Output	2.0mV/V ±0.1%	Safe Temp. Range	-10°C to + 70°C
Zero Balance	±1% of rated output	Temp. Compensated	-10°C to + 40°C
Creep after 30 minutes	±0.03% of rated output	Safe Overload	150%
Nonlinearity	±0.03% of rated output	Input Impedance	387 ohm ± 20 ohm
Hysteresis	±0.03% of rated output	Output Impedance	350 ohm ± 5 ohm
Repeatability	±0.03% of rated output	Insulation Resistance	≥5000 M ohm (50V DC)
Temp. effect on output	≤0.002% of applied output/°C	Rated Excitation	10V DC/AC
Temp. effect on zero	≤0.002% of rated output/°C	Maximum Excitation	15V DC/AC
Wire Length	6m	Wire Material	Red(+E) Black(-E) White(-S) Green(+S)