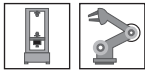


“S” Type



Capacities

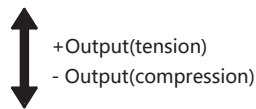
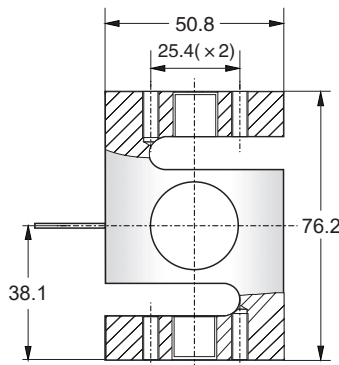
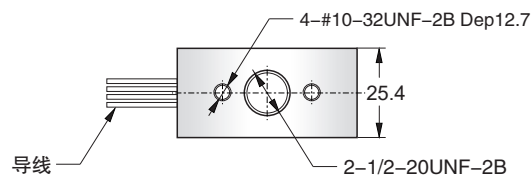
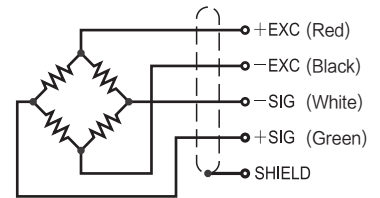
500lb, 1000lb, 2000lb

Features

- S-Type load cell
- Easy to install
- Aluminum construction
- Suitable for robotics and force measurements

Schematic

Red: + input
 Black: - input
 Green: + output
 White: - output



Specification

Rated Output	2.0mV/V±10%	Safe Temp. Range	-30°C to + 70°C
Zero Balance	±0.06mV/V	Temp. Compensated	-10°C to + 40°C
Nonlinearity	±0.1% of rated output	Bridge Resistance	1000 ohm
Hysteresis	±0.05% of rated output	Deflection	≤0.4mm
Repeatability	±0.05% of rated output	Insulation Resistance	≥500 M ohm (50V DC)
Temp. effect on output	≤0.0014% of applied output/°C	Rated Excitation	10V DC/AC
Temp. effect on zero	≤0.0018% of rated output/°C	Maximum Excitation	20V DC/AC
Safe Overload	150% of RO	Wire Specification	28AWG
Wire Length	12 in		