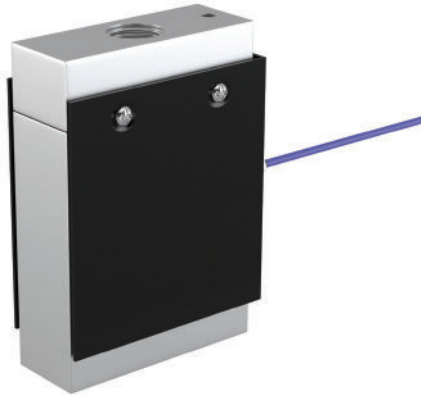
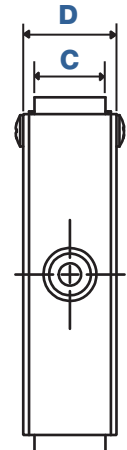
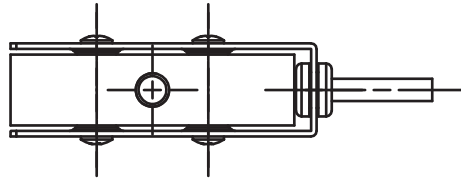
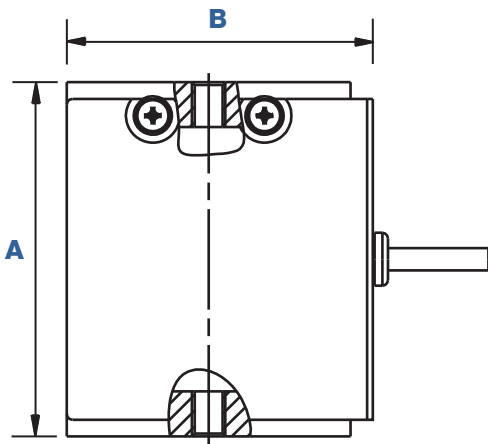


### Features



- Capacities from 2lbf [10N] up to 11klbf [50kN]
- Excellent measurement performance in both tension and compression
- Improved measurement repeatability versus original BAB-MT
- Enhanced safe overload protection, even on higher capacity models
- Dimensions / threads meet major OEM requirements
- Protective cover keeps overload protection slots clear



### Dimensional Attributes (Imperial Version)

MODEL		BAB-MT2 Series			
CAPACITIES (±lbf)		2 to 55	110 & 225	550 to 2k	5k & 11k
HEIGHT (in)	A	2.50	2.76	3.15	4.25
WIDTH (in)	B	2.16	2.36	2.60	3.00
THICKNESS (Load Cell) (in)	C	0.48	0.65	0.98	1.18
THICKNESS (WITH COVER) (in)	D	0.66	0.71	1.10	1.24

### Models (Imperial Version)

PART ID	CAPACITY (lbf)	SAFE OVERLOAD FACTOR	SAFE OVERLOAD (lbf)	THREAD
BAB-MT2-2LBF	±2	10x	±20	1/4in-28
BAB-MT2-5LBF	±5	10x	±50	1/4in-28
BAB-MT2-10LBF	±10	10x	±100	1/4in-28
BAB-MT2-20LBF	±20	10x	±200	1/4in-28
BAB-MT2-55LBF	±55	10x	±550	1/4in-28
BAB-MT2-110LBF	±110	10x	±1.1k	1/2in-20
BAB-MT2-225LBF	±225	10x	±2.25k	1/2in-20
BAB-MT2-550LBF	±550	5x	±2.75k	1/2in-20
BAB-MT2-1KLBF	±1k	5x	±5k	1/2in-20
BAB-MT2-2KLBF	±2k	5x	±10k	1/2in-20
BAB-MT2-5KLBF	±5k	3x	±15k	3/4in-16
BAB-MT2-11KLBF	±11k	3x	±33k	3/4in-16

### General Specifications

Rated Output (RO)	2 mV/V			
Nonlinearity	±0.03% of FS			
Hysteresis	±0.03% of FS			
Nonrepeatability	±0.01% of RO			
Creep, 30min (%RDG)	±0.01% of RDG			
ELECTRICAL ATTRIBUTES		TEMPERATURE ATTRIBUTES		
Zero Balance- mV/V	±0.06	Compensated Range	°F	-15 to +105
Input Impedance- ohm	387±20	Operating Range	°F	-15 to +160
Output Impedance- ohm	350±5	Effect on Zero	±0.001% of FS/ °F	
Insulation Resistance- Megaohm	≥5000 MΩ (at 50 VDC)	Effect on Span	±0.001% of FS/ °F	
Rated Excitation Voltage- V DC/ AC	10	Excitation +	Red	
Maximum Excitation Voltage- V DC/ AC	15	Excitation -	Black	
Integrated Cable	28 AWG with shield	Signal +	Green	
Cable Length	ft	Signal -	White	