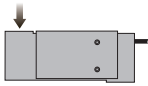


## Single Point



### Capacities

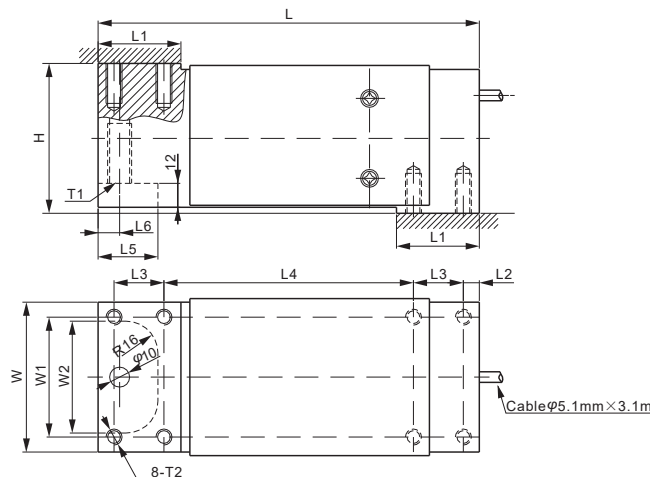
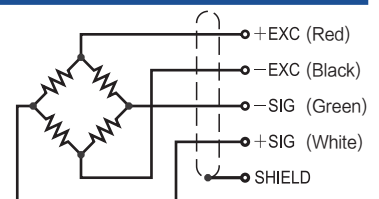
50kg, 100kg, 150kg, 200kg, 300kg, 500kg, 635kg, 700kg, 1t, 1.5t

### Features

- Single point load cell
- Protected against corrosion by nickel-plated treatment
- Aluminum construction
- High accuracy
- High stability
- Easy to install

### Schematic

Red : + input  
 Black : - input  
 Green : + output  
 White : - output



Capacities		H	L	L1	L2	L3	L4	L5	L6	W	W1	W2	T1	T2
TSM1250 50kg~1500kg	mm	75	191	41.5	8	25	125	30	10.8	75	60	56	M12 Dp30	M8 Dp20
	inch	2.95	7.52	1.63	0.31	0.98	4.92	1.18	0.43	2.89	2.36	2.2	M12 Dp1.2	M8 Dp0.8
TSU1250 50kg~1500kg	mm	75	191	41.5	8	25	125	30	10.8	75	60	56	1/2-20UNF Dp30	5/16-18UNC Dp20
	inch	2.95	7.52	1.63	0.31	0.98	4.92	1.18	0.43	2.89	2.36	2.2	1/2-20UNF Dp1.2	5/16-18UNC Dp0.8

### Specification

Rated Output	2.0mV/V ±10%	Safe Temp. Range	14°C to + 104°C
Zero Balance	±1% of rated output	Temp. Compensated	-10°C to + 40°C
Creep after 30 minutes	±0.023% of rated output	Input Impedance	415 ohm ± 15 ohm
Nonlinearity	±0.017% of rated output	Output Impedance	350 ohm ± 3 ohm
Hysteresis	±0.017% of rated output	Insulation Resistance	>2G ohm ( 50V DC)
Repeatability	±0.017% of rated output	Rated Excitation	10V DC/AC
Safe Overload	150%	Maximum Excitation	15V DC/AC
Breaking Overload	300%		